

CONTENTS



Drive Component Accessories

Wide Range Belts - REEVES	PT9-2
Wide Range Belts	PT9-3
TAPER-LOCK Flat-Face Pulleys	PT9-4
DODGE Motor Bases	PT9-5
Shaft Collars	PT9-7
Adjustable NEMA Motor Bases	PT9-8
Part Number Index	INDEX-1
Keyword Index	INDEX-43

V-Drives

FHP Drives

Drive Component
Accessories

DYNA-SYNC

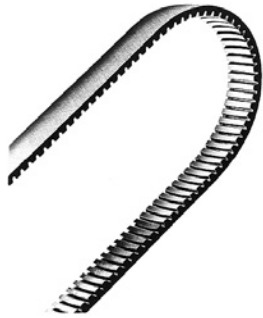
HT200/HTD
Synchronous Drives

HT500
Synchronous Drives

Roller Chain Sprockets



Wide Range Belts - REEVES



Belt Series	For Pulley Numbers
1422	95, 5675, 406
1922	96, 97, 7202, 408
2322	98, 409
2926	98-1/2, 9205, 411
3236	910, 410, 410/8
4430	912, 912-15, 1110, 412
	412/15, 1320, 1330
4830	414, 414/25

WIDE RANGE BELTS FOR REEVES PULLEYS

For Adjustable Speed Drive Applications
 Oil And Heat Resistant
 Static Conducting
 Industry Standard Belt Numbers

1st Two Digits - Belt Width in Sixteenth Inch
 2nd Two Digits - Sheave Groove Angle
 Remaining Digits - Pitch Length in Tenths of an inch.

Belt Size	DODGE P/N	REEVES P/N	Belt Size	DODGE P/N	REEVES P/N	Belt Size	DODGE P/N	REEVES P/N
1422V SERIES			2322V SERIES (CONT)			3226V SERIES (CONT)		
1422V270	109407	8H95450	2322V486	-	8H95155	3226V903	109760	8H95197
1422V300	109409	8H95123	2322V521	109031	8H95156	3226V963	109761	8H95198
1422V330	109411	8H95451	2322V541	109607	8H95157	3226V1023	109762	8H95475
1422V360	109011	8H95124	2322V601	109601	8H95466	3226V1083	109763	8H95476
1422V400	109414	8H95452	2322V661	109033	8H95159	4430V SERIES		
1422V420	109012	8H95125	2322V681	109611	8H95467	4430V548	109848	8H95479
1422V466	109418	8H95453	2322V721	109034	8H95162	4430V555	109849	8H95480
1422V480	109013	8H95126	2322V801	109614	8H95163	4430V578	109852	8H95481
1422V540	109014	8H95127	2322V886	109617	8H95468	4430V610	109705	8H95482
1422V600	109422	8H95128	2322V1001	109619	8H95469	4430V630	109855	8H95483
1422V660	109423	8H95454	2926V SERIES			4430V660	109856	8H95484
1422V720	109424	8H95455	2926V471	109713	8H95477	4430V670	109705	8H95705
1422V780	109425	8H95456	2926V486	109715	8H95170	4430V690	109858	8H95485
1922V SERIES			2926V521	109717	8H95171	4430V700	109050	8H95486
1922V256	109493	8H95457	2926V546	109719	8H95172	4430V730	109862	8H95204
1922V321	109498	8H95133	2926V574	109720	8H95173	4430V740	109863	8H95740
1922V338	109500	8H95458	2926V586	109721	8H95174	4430V790	109837	8H95205
1922V363	109501	8H95134	2926V606	109722	8H95175	4430V850	109052	8H95206
1922V386	109020	8H95135	2926V636	109740	8H95177	4430V910	109053	8H95207
1922V403	109504	8H95459	2926V646	109724	8H95178	4430V970	109845	8H95208
1922V417	109505	8H95460	2926V686	109726	8H95180	4430V1030	109893	8H95209
1922V426	109021	8H95137	2926V726	109728	8H95182	4430V1090	109877	8H95210
1922V443	109507	8H95461	2926V776	109729	8H95183	4430V1150	109879	8H95488
1922V454	109508	8H95139	2926V834	109731	8H95184	4430V1320	109882	8H95489
1922V484	109022	8H95140	2926V856	109732	8H95185	4480V SERIES		
1922V544	109023	8H95142	2926V906	109734	8H95187	4830V614	109907	8H95490
1922V604	109024	8H95143	2926V966	109735	8H95478	4830V653	109908	8H95491
1922V646	109515	8H95462	3226V SERIES			4830V692	109909	8H95492
1922V666	109516	8H95145	3226V433	109749	8H95470	4830V699	109910	8H95493
1922V726	109520	8H95148	3226V465	109750	8H95471	4830V730	109911	8H95494
1922V751	109521	8H95463	3226V505	109751	8H95472	4830V850	109912	8H95495
1922V756	109522	8H95464	3226V545	109753	8H95473	4830V970	109913	8H95496
1922V806	109523	8H95149	3226V585	109754	8H95474	4830V1070	109914	8H95497
2322V SERIES			3226V603	109040	8H95192			
2322V364	109599	8H95465	3226V663	109041	8H95193			
2322V396	109601	8H95466	3226V723	109042	8H95194			
2322V421	109602	8H95153	3226V783	109043	8H95195			
2322V443	-	8H95154	3226V843	109044	8H95196			



Wide Range Belts

Part No.	Descr.	Wt.	Part No.	Descr.	Wt.	Part No.	Descr.	Wt.	Part No.	Descr.	Wt.
1200 SERIES			109514	1922V630	1.10	2500 SERIES			109734	2926V906	3.30
109400	1228V255	.26	109515	1922V646	1.20	109641	2526V314	.92	109735	2926V966	3.50
1400 SERIES			109516	1922V516	1.20	109644	2530V470	1.80	109736	2926V1006	3.70
109407	1422V270	.30	109517	1922V686	1.20	109647	2530V530	1.90	109745	3226V392	1.50
109408	1422V290	.33	109520	1922V726	1.30	109648	2530V550	1.90	109262	3226V439	1.99
109409	1422V300	.30	109522	1922V756	1.40	109650	2530V575	2.20	109764	3226V450	2.00
109411	1422V330	.37	109523	1922V806	1.50	109100	2530V595	2.50	109750	3226V465	2.00
109412	1422V340	.40	109524	1922V846	1.50	109652	2530V600	2.30	109751	3226V505	2.20
109011	1422V360	.50	109525	1922V891	1.60	109653	2530V610	2.50	3200 SERIES		
109414	1422V400	.45	109533	1926V250	.50	109101	2530V630	2.70	109752	3226V514	2.20
109012	1422V420	.50	109068	1926V275	.53	109109	2530V660	2.60	109753	3226V545	2.30
109416	1422V440	.50	109542	1930V366	.80	109102	2530V670	2.60	109754	3226V585	2.50
109417	1422V460	.52	109543	1930V375	.81	109658	2530V690	2.60	109040	3226V603	2.40
109418	1422V466	.52	109544	1930V400	.87	109104	2530V730	3.00	109263	3226V650	2.93
109419	1422V470	.53	109545	1930V425	.90	109662	2530V740	2.80	109041	3226V663	2.80
109013	1422V480	.60	109546	1930V431	.93	109664	2530V790	3.00	109042	3226V723	3.10
109014	1422V540	.70	109549	1930V491	1.10	109107	2530V840	3.30	109043	3226V783	3.40
109422	1422V600	.68	109552	1930V541	1.10	109672	2530V990	3.70	109044	3226V843	3.60
109423	1422V660	.74	109554	1930V591	1.30	109675	2530V1090	4.10	109760	3226V903	3.90
109425	1422V780	.87	109555	1930V600	1.30	2600 SERIES			109761	3226V963	4.10
109424	1430V215	.31	109557	1930V641	1.30	109688	2626V369	1.20	109763	3226V1083	4.60
1600 SERIES			109559	1930V691	1.50	109689	2626V388	1.20	109766	3230V419	2.10
109459	1626V262	.42	109561	1930V750	1.60	109692	2630V345	1.00	109772	3230V670	3.40
109461	1626V293	.47	109562	1930V791	1.70	109694	2636V332	1.10	109774	3230V710	3.60
109462	1626V304	.40	109565	1930V891	1.90	2800 SERIES			109803	3236V369	1.60
109463	1626V330	.50	109568	1930V991	2.10	109696	2822V778	3.40	109805	3236V432	1.90
109464	1626V339	.60	109571	1930V1091	2.30	109698	2826V412	1.50	109807	3326V478	2.40
109466	1626V384	.70	2100 SERIES			109699	2826V452	1.60	3400 SERIES		
109469	1626V428	.68	109585	2126V309	.60	109250	2830V337	1.13	109822	3432V450	2.13
109470	1626V440	.70	2200 SERIES			109701	2830V363	1.00	109809	3432V456	2.10
109472	1626V513	.81	109590	2226V307	.58	109700	2830V366	1.03	109808	3432V480	2.27
109473	1626V517	.82	109592	2230V266	.49	109251	2830V367	1.23	109810	3432V484	2.20
109475	1626V604	.95	109594	2230V275	.60	109702	2830V393	.99	109269	3432V534	2.52
109477	1626V700	1.10	109596	2230V326	.69	109703	2830V422	1.50	3600 SERIES		
109480	1628V315	.51	2300 SERIES			109706	2836V343	1.20	109817	3636V479	2.50
109479	1628V210	.29	109599	2322V364	.90	109708	2836V380	1.30	3700 SERIES		
109482	1632V210	.40	109601	2322V601	1.10	2900 SERIES			109821	3726V558	3.40
1800 SERIES			109602	2322V421	1.00	109710	2926V366	1.40	3800 SERIES		
109485	1822V328	.57	109604	2322V441	1.20	109711	2926V400	1.50	109824	3826V465	2.60
109487	1828V368	.73	109030	2322V481	1.50	109712	2926V426	1.60	109826	3830V510	3.10
1900 SERIES			109031	2322V521	1.60	109713	2926V471	1.80	109827	3830V517	3.20
109493	1922V256	.50	109607	2322V541	1.40	109714	2926V477	1.60	109835	3830V580	6.60
109494	1922V277	.51	109032	2322V601	1.80	109715	2926V486	1.80	109828	3830V587	3.30
109495	1922V282	.60	109609	2322V621	1.60	109716	2926V491	1.80	109830	3836V418	2.00
109496	1922V289	.55	109033	2322V661	1.90	109717	2926V521	2.00	109831	3836V426	2.10
109497	1922V302	.56	109611	2322V681	1.80	109719	2926V546	1.90	109832	3836V654	3.50
109498	1922V321	.60	109612	2322V701	1.80	109720	2926V574	2.10	109833	3836V734	3.90
109499	1922V332	.61	109034	2322V721	2.30	109721	2926V721	2.20	109834	3836V794	4.40
109501	1922V363	.60	109615	2322V801	2.10	109722	2926V606	2.10	4000 SERIES		
109502	1922V381	.70	109617	2322V826	2.30	109723	2926V616	2.30	109836	4030V538	3.40
109020	1922V386	.80	109618	2322V921	2.40	109740	2926V636	2.30	109840	4036V541	3.50
109504	1922V403	.70	109620	2322V1061	2.80	109724	2926V724	2.40	109841	4036V547	3.60
109505	1922V417	.76	109623	2326V310	.74	109725	2926V666	2.40	4200 SERIES		
109021	1922V426	.90	109242	2326V359	.92	109726	2926V726	2.40	109843	4230V556	3.30
109507	1922V443	.81	109625	2330V273	.56	109727	2926V706	2.60	109844	4230V605	3.60
109508	1922V454	.70	2400 SERIES			109728	2926V726	2.80	4400 SERIES		
109509	1922V460	.84	109631	2426V343	.82	109729	2926V776	2.80	109846	4430V510	3.70
109022	1922V484	1.20	109637	2430V297	.71	109730	2926V786	2.90	109847	4430V530	3.80
109511	1922V526	.96	109639	2436V331	.77	109731	2926V834	2.90	109848	4430V548	3.90
109023	1922V544	1.20				109732	2926V856	3.10	109849	4430V555	4.00
109024	1922V604	1.40				109733	2926V891	3.52	109851	4430V570	4.10

V-Drives

FHP Drives

Drive Component Accessories

DYNA-SYNC

HT200/HTD Synchronous Drives

HT500 Synchronous Drives

Roller Chain Sprockets

DRIVE COMPONENT ACCESSORIES



Wide Range Belts (cont)

Part No.	Descr.	Wt.
4400 Series (Continued)		
109852	4430V578	4.20
109854	4430V610	4.30
109855	4430V630	4.40
109856	4430V660	4.50
109857	4430V670	4.70
109858	4430V690	4.90
109050	4430V700	4.80
109861	4430V710	5.10
109862	4430V730	5.40
109863	4430V740	5.30
4430 SERIES		
109865	4430V760	5.40
109051	4430V790	6.00
109052	4430V850	6.30
109053	4430V910	6.90
109054	4430V970	6.70
109875	4430V1030	7.50
109877	4430V877	8.40
109879	4430V1150	8.10
109882	4430V1320	9.30
109885	4430V1610	11.40

Part No.	Descr.	Wt.
109886	4436V525	3.70
109887	4436V551	3.90
109889	4436V561	4.00
109890	4436V576	4.10
109892	4436V646	4.70
4600 SERIES		
109894	4626V596	4.90
109896	4630V650	5.90
109897	4630V663	6.00
109901	4630V733	7.39
109904	4636V613	5.60
4800 SERIES		
109906	4830V602	4.70
109908	4830V653	5.10
109910	4830V699	5.50
109916	4836V588	4.60
109918	4836V618	4.90
109920	4836V655	5.20
109057	4836V670	5.99
109927	4836V850	6.70
109066	4836V1180	11.52

Part No.	Descr.	Wt.
5100 SERIES		
109825	5130V732	8.44
109935	5228V930	9.70
109936	5230V734	7.80
109829	5230V867	10.16
5600 SERIES		
109939	5636V750	8.20
109940	5636V774	8.40
3230HV SERIES		
109789	3230HV528	2.60
109790	3230HV553	2.80
109791	3230HV570	2.90
109792	3230HV585	2.90
109793	3230HV603	3.20
109794	3230HV613	3.10
109795	3230HV620	3.10
109796	3230HV626	3.10
109797	3230HV644	3.20
109802	3230HV656	3.88
109798	3230HV670	3.40
109799	3230HV685	3.50

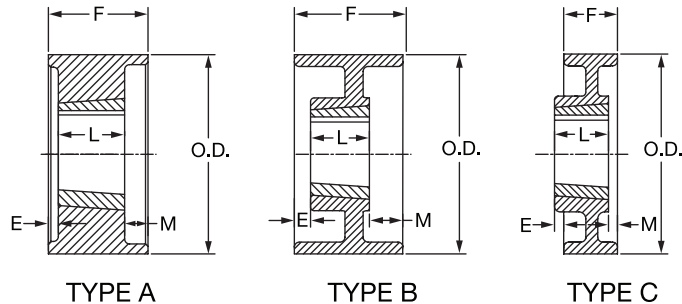
Part No.	Descr.	Wt.
109800	3230HV702	3.50
109801	3230HV723	3.60
109806	3230HV821	4.85
109814	3230HV856	5.05
109816	3230HV931	5.49

TAPER-LOCK FLAT FACE PULLEYS

The TAPER-LOCK flat face pulley was designed primarily to be used with adjustable speed drives using wide range belts. They are made of quality gray iron and are carefully static balanced.



TAPER-LOCK bushings grip the shaft but can be easily removed. One of the outstanding features is that they go from "shelf-to-shaft" without costly reboring, keyseating or machining.



O.D.	Part No.	Description	Wt.	* Type	DIMENSIONS		
					L	E	M
2.5" FACE WIDTH							
5	330250	5 X 2.5-2012	4.6	A-1	1.25	0.25	1.0
6	330251	6 X 2.5-2012	8.1	A-1	1.25	0.25	1.0
7	330252	7 X 2.5-2012	8.0	B-2	1.25	0.38	0.88
8	330253	8 X 2.5-2012	9.0	B-2	1.25	0.38	0.88
9	330254	9 X 2.5-2012	13.5	B-2	1.25	0.44	0.81
10	330255	10 X 2.5-2012	16.3	B-2	1.25	0.44	0.81
11	330256	11 X 2.5-2012	17.9	B-3	1.25	0.44	0.81
12	330257	12 X 2.5-2012	19.6	B-3	1.25	0.44	0.81
14	330258	14 X 2.5-3020	23.4	C-3	2.0	0.38	0.88
16	330259	16 X 2.5-3020	30.8	C-3	2.0	0.38	0.88
18	330260	18 X 2.5-3020	35.3	C-3	2.0	0.38	0.88
20	330261	20 X 2.5-3020	44.8	C-3	2.0	0.44	0.94
3.25" FACE WIDTH							
10	330262	10 X 3.25-2012	18.2	B-3	1.25	0.81	1.19
11	330263	11 X 3.25-2012	20.5	B-3	1.25	0.81	1.19
12	330264	12 X 3.25-2012	22.4	B-3	1.25	0.81	1.19
14	330265	14 X 3.25-3020	28.4	B-3	2.00	0.06	1.19
16	330266	16 X 3.25-3020	39.4	B-3	2.00	0.06	1.19
18	330267	18 X 3.25-3020	38.5	B-3	2.00	0.13	1.13
20	330268	20 X 3.25-3020	48.8	B-3	2.00	0.13	1.13
22	330269	22 X 3.25-3020	51.8	B-3	2.00	0.06	1.19
24	330270	24 X 3.25-3020	58.3	B-3	2.00	0.13	1.13
4.25" FACE WIDTH							
12	330271	12 x 4.25-3020	26.2	B-3	2.0	0.06	2.19
14	330272	14 x 4.25-3020	26.2	B-3	2.0	0.13	2.13
16	330273	16 x 4.25-3020	36.0	B-3	2.0	0.13	2.13
18	330274	18 x 4.25-3020	41.7	B-3	2.0	0.13	2.13
20	330279	20 x 4.25-3020	44.3	B-3	2.0	0.13	2.13
22	330275	22 x 4.25-3020	55.8	B-3	2.0	0.13	2.13
24	330276	24 x 4.25-3020	59.3	B-3	2.0	0.13	2.13

* Sheave Type: -1 = Block, -2 = Web, -3 = Arm

DRIVE COMPONENT ACCESSORIES

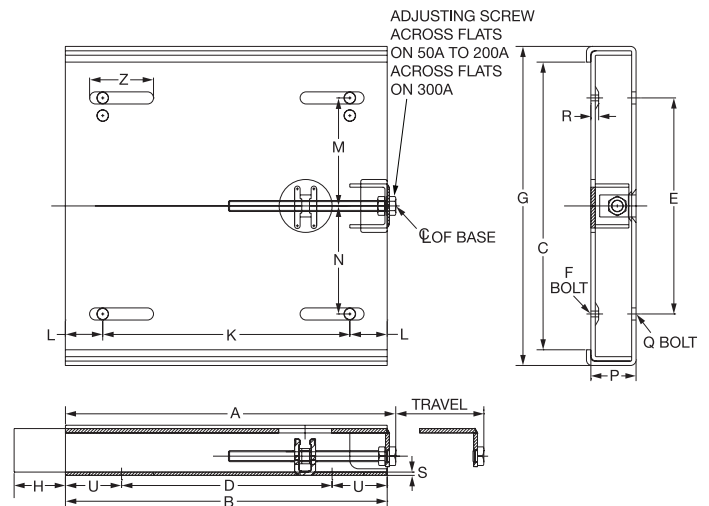


DODGE Motor Bases TYPE A SLIDE MOTOR BASES



Type A Motor Bases are fabricated of steel which offers a base of rugged design, compact and smooth in appearance. These bases, which are designed to provide adequate travel, are fully adjustable by the use of a single adjusting screw and have elongated mounting holes in the base plate.

Order by base number. Bases are tapped to receive popular NEMA frames and can be tapped on order for others by specifying the frame size required. See table below.



Base No. Part No.	NEMA Motor Frame No.		Travel	A	B	C	D	E	F *	G	H	K	L
	1750 RPM	1160 RPM											
50A 122120	213	213, 213T	4.75	11.25	10.75	9.38	7.44	7	3/8	10.25	2.06	8.5	1.13
	215	215							3/8			8.5	1.13
	182T*	182T*							3/8			7.5	1.63
	184T*	184T*							3/8			7.5	1.63
100A 122121	254, 254U	254, 254U, 254T	4.75	13.5	13	12.81	8.25	10	1/2	14.25	2.38	10	1.5
	256U	256U							1/2			10	1.5
	213T*							3/8			8.5	2.25
	215T*	215T*							3/8			5.5	2.25
200A 122122	284, 284U, 284T	284, 284U, 284T	6.88	16.75	16.25	15.81	11.50	12	1/2	17.25	3.38	11	2.63
	286U, 286T	286U, 286T							1/2			11	2.63
	324, 324U	324, 324U							5/8			12.5	1.88
	326, 326U	326, 326U							5/8			12.5	1.88
	254T*							1/2			10	3.13
256T*	256T*	1/2	10	3.13									
300A 122123	364, 364U	364, 364U	6.25	18.88	18.25	16.31	11.88	12.25	5/8	18.13	3.25	14	2.13
	365	365							5/8			14	2.13
	324T*	324T*							5/8			12.5	2.88

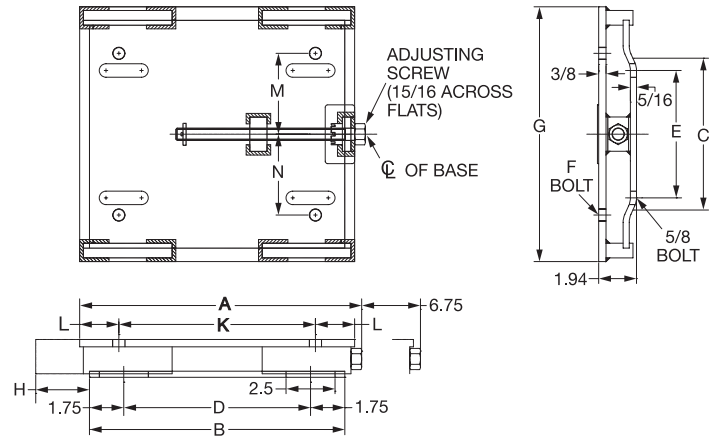
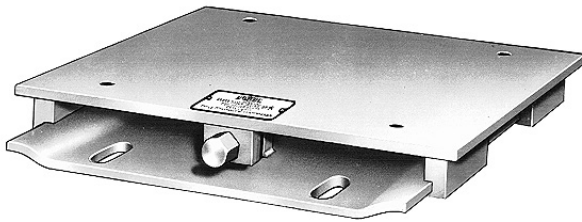
Base No. Part No.	M	N	P	Q	S	U	Z
50A 122120	2.0	3.5	1.75	.38	.13	1.66	1.69
	3.5	3.5					
	2.75	1.75					
	2.75	2.75					
100A 122121	3.25	5.0	2	.68	.19	2.38	2.5
	5.0	5.0					
	2.75	2.75					
	3.5	3.5					
200A 122122	5.25	4.25	2.25	.68	.19	2.38	2.5
	5.25	5.75					
	4.5	6.0					
	6.0	6.0					
	4.75	3.5					
4.75	5.25						
300A 122123	5.13	6.13	2.5	.68	.25	3.19	3.63
	6.13	6.13					
	5.63	4.83					

* Bases are tapped with national coarse threads for those motor frames not marked with an asterisk. Bases for motor frames marked with an asterisk will be drilled and tapped on order at an extra charge and will require "F" diameter bolts and nuts – when ordering specify NEMA motor frame size.

DRIVE COMPONENT ACCESSORIES



DODGE Motor Bases TYPE B SLIDE MOTOR BASES



Type B Motor Bases are made of fabricated steel and include all of the same quality features as the Type A bases. Type B bases were primarily designed to be used where a base of heavier construction is required.

Order by base number. Bases are tapped to receive popular NEMA frames and can be tapped on order for others by specifying the frame size required. See table below.

Base No. Part No.	NEMA Motor Frame No.		Wt.	A	B	C	D	E	F*	G	H	K	L	M	N
	1750 RPM	1160 RPM													
11B 122114	254, 254U	254, 254U	37	14.38	13	9.25	9.5	6.5	1/2	13	3.88	10.0	2.0	4.13	4.13
	215*	215*, 215T*							3/8			8.5	2.75	3.5	3.5
	184T*	184T*							3/8			7.5	3.25	2.75	2.75
	213T*	213T*							3/8			8.5	2.75	2.75	2.75
22B 122115	284, 284U	284, 284U	37	14.38	13	9.25	9.5	6.5	1/2	13	3.88	11.0	1.5	4.75	4.75
	256U*	256U*, 265T*							1/2			10.0	2.0	5.0	5.0
	215T*							3/8			8.5	2.75	3.5	3.5
	254T*	254T*							1/2			10.0	2.0	4.13	4.13
33B 122116	324, 324U	324, 324U	48	16.38	14	11.5	10.5	7.75	5/8	15.75	4.38	12.5	1.75	5.25	5.25
	326, 326U	326, 326U							5/8			12.5	1.75	6.0	6.0
	286U*, 286T*	286U*, 286T*							1/2			11.0	2.5	5.5	5.5
	256T*							1/2			10.0	3.0	5.0	5.0
45B 122118	364, 364U	364, 364U	56	18.38	16	12.25	12.5	8	5/8	16.5	4.38	14.0	2.0	5.13	6.13
	365	365							5/8			14.0	2.0	6.13	6.13
	324T*	324T*							5/8			12.5	2.75	5.75	4.75

* Bases are tapped with national coarse threads for those motor frames not marked with an asterisk.

Bases for motor frames marked with an asterisk will be drilled and tapped on order at an extra charge and will require "F" diameter bolts and nuts – when ordering specify NEMA motor frame size.



Shaft Collars



Solid Steel Shaft Collars						
Shaft Size	Part Number		Dimensions			
	Steel	Stainless	O.D.	Width	Screw	Wt.
1/8	-	456225	3/8	1/4	#6	0.01
3/16	040001	456226	7/16	1/4	#8	0.01
1/4	040002	456227	1/2	5/16	#10	0.01
5/16	040003	456228	5/8	5/16	#10	0.02
3/8	040004	456229	3/4	3/8	1/4	0.03
7/16	040005		7/8	7/16	1/4	0.05
1/2	040006	456230	1	7/16	1/4	0.07
9/16	040007		1	7/16	1/4	0.06
5/8	040008	456231	1-1/8	1/2	5/16	0.09
11/16	040009		1-1/4	9/16	5/16	0.13
3/4	040010	456232	1-1/4	9/16	5/16	0.12
13/16	040011		1-1/4	9/16	5/16	0.11
7/8	040012	456233	1-1/2	9/16	5/16	0.18
15/16	040013		1-1/2	9/16	5/16	0.17
1	040014	456234	1-1/2	5/8	5/16	0.17
1-1/16	040015		1-3/4	5/8	5/16	0.26
1-1/8	040016	456235	1-3/4	5/8	5/16	0.24
1-3/16	040017		2	11/16	3/8	0.38
1-1/4	040018	456236	2	11/16	3/8	0.36
1-5/16	010019		2-1/8	11/16	3/8	0.41
1-3/8	040020		2-1/8	3/4	3/8	0.42
1-7/16	040021		2-1/4	3/4	3/8	0.48
1-1/2	040022	456237	2-1/4	3/4	3/8	0.45
1-9/16	040023		2-1/2	13/16	3/8	0.67
1-5/8	040024		2-1/2	13/16	3/8	0.63
1-11/16	040025		2-1/2	13/16	3/8	0.59
1-3/4	040026	456238	2-5/8	7/8	1/2	0.71
1-7/8	040027		2-3/4	7/8	1/2	0.76
1-15/16	040028		3	7/8	1/2	0.98
2	040029	456239	3	7/8	1/2	0.93
2-3/16	040030		3-1/4	15/16	1/2	1.16
2-1/4	040031		3-1/4	15/16	1/2	1.11
2-7/16	040032		3-1/2	1	1/2	1.36
2-1/2	040033		3-1/2	1	1/2	1.30
2-15/16	040034		4	1-1/8	1/2	1.83

Bore Tolerance	
Bore	Tolerance
1/8 - 1/2	+0.0005/+0.0025
9/16 - 2	+0.0005/+0.0030
>2	+0.0010/+0.0040

Solid Iron Shaft Collars				
Shaft Size	Part Number	Dimensions		
		O.D.	Width	Wt.
1-15/16	010020	3-3/8	1-3/8	1.75
2	010021	3-3/8	1-3/8	1.75
2-3/16	010024	3-3/4	1-3/8	3
2-7/16	010028	4-1/4	1-1/2	3
2-1/2	010029	4-1/4	1-1/2	3
2-11/16	010032	4-3/4	1-1/2	5
2-15/16	010036	5	1-5/8	5
3-3/16	010039	5-1/2	1-5/8	7
3-7/16	010043	5-3/4	1-3/4	8
3-15/16	010048	6-1/2	1-7/8	10.5
4-7/16	010051	7-1/4	2	13.5
4-15/16	010054	8	2-1/8	17
5-7/16	010055	8-3/4	2-1/8	20
5-15/16	010056	9-1/4	2-1/4	22
6	010057	9-1/4	2-1/4	22
6-1/2	010058	10	2-1/4	25
7	010059	10-1/2	2-3/8	30
7-1/2	010060	11-3/8	2-1/2	35
8	010061	12-1/8	2-7/8	45

Bore Tolerance	
Bore	Tolerance
<1-1/2	+0.002/+0.004
1-9/16 - 2-1/2	+0.003/+0.005
2-9/16 - 4	+0.003/+0.006
4-1/16 - 6	+0.003/+0.007
6-1/16 - 8	+0.004/+0.008

Split Iron Shaft Collars				
Shaft Size	Part Number	Dimensions		
		O.D.	Width	Wt.
1-1/8	010075	3-1/8	1-1/4	1.3
1-3/16	010076	3-1/8	1-1/4	1.3
1-1/4	010077	3-1/8	1-1/4	1.3
1-5/16	010078	3-3/8	1-7/16	1.5
1-7/16	010080	3-3/8	1-7/16	1.5
1-1/2	010081	3-3/8	1-7/16	1.5
1-11/16	010084	3-3/4	1-9/16	2.3
1-3/4	010085	3-3/4	1-9/16	2.3
1-15/16	010088	4-1/16	1-3/4	2.8
2	010089	4-1/16	1-3/4	2.8
2-3/16	010092	4-1/2	1-7/8	3.0
2-1/4	010093	4-1/2	1-7/8	3.0
2-7/16	010096	4-7/8	2	4.0
2-1/2	010097	4-7/8	2	4.0
2-11/16	010100	5-5/16	2-1/16	5.0
2-15/16	010104	5-5/8	2-5/16	5.8
3	010105	5-5/8	2-5/16	5.8
3-3/16	010107	6-1/16	2-3/8	8.5
3-7/16	010110	6-7/8	2-9/16	9.8
3-11/16	010112	6-13/16	2-5/8	10.0
3-15/16	010114	7-3/16	2-3/4	11.0
4-7/16	010117	8-1/8	3-5/16	16.5
4-15/16	010120	8-3/4	3-1/2	20.5
5-7/16	010123	9-5/8	3-3/4	28.0
5-15/16	010126	10-1/8	4-1/16	30.0
6	010127	10-1/8	4-1/16	30.0
6-1/2	010128	11	4-1/4	41.0
7	010129	12	4-1/2	46.0
7-1/2	010130	12-15/16	4-11/16	56.0
8	010131	13-5/8	5-1/16	69.0

Bore Tolerance	
Bore	Tolerance
<1-1/2	+0.002/+0.004
1-9/16 - 2-1/2	+0.003/+0.005
2-9/16 - 4	+0.003/+0.006
4-1/16 - 6	+0.003/+0.007
6-1/16 - 8	+0.004/+0.008

V-Drives

FHP Drives

Drive Component Accessories

DYNA-SYNC

HT200/HTD Synchronous Drives

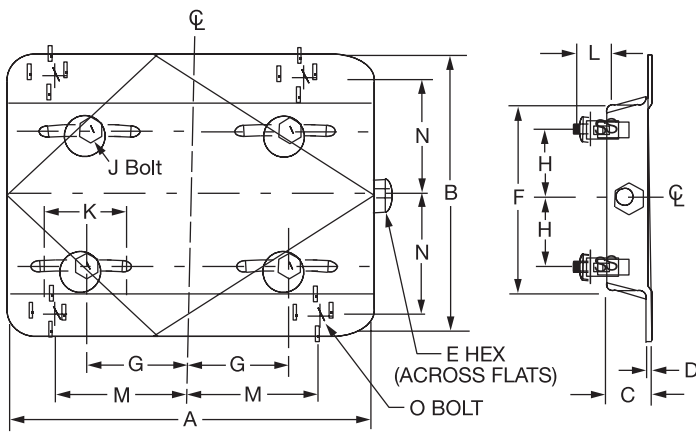
HT500 Synchronous Drives

Roller Chain Sprockets



Adjustable NEMA Motor Bases

DODGE Adjustable motor bases provide a convenient method for mounting standard NEMA-frame motors. Hex- screw "E" is used to adjust the drive center distance over range "K" for tensioning V-Belt and Synchronous belt drives. Once the drive is tensioned, bolts "J" are tightened for a secure, stable mounting of the motor.



Style A



Style B

Base No.	Part No.	Wt.	Style	Dimensions												Bolt Dimensions			
				A	B	C	D	F	G	H	K	L	M	N	Adj.	Hex	J	O	
56	122090	3.0	A	10.63	6.50	1.13	0.08	4.50	2.44	1.50	3.00	0.87	3.81	2.88	3/8	9/16	5/16	3/8	
143	122091	5.0	A	10.50	7.50	1.13	0.12	5.50	2.75	2.00	3.00	0.81	3.75	3.38	3/8	9/16	5/16	3/8	
145	122092	6.0	A	10.50	8.50	1.13	0.12	6.50	2.75	2.50	3.00	0.81	3.75	3.88	3/8	9/16	5/16	3/8	
182	122093	9.0	A	12.75	9.50	1.50	0.13	6.50	3.75	2.25	3.00	1.25	4.50	4.25	1/2	3/4	3/8	1/2	
184	122094	9.5	A	12.75	10.50	1.50	0.13	7.50	3.75	2.75	3.00	1.25	4.50	4.75	1/2	3/4	3/8	1/2	
213	122095	13.5	A	15.00	11.00	1.75	0.16	7.50	4.25	2.75	3.50	1.25	5.25	4.75	1/2	3/4	3/8	1/2	
215	122096	15.5	A	15.00	12.50	1.75	0.16	9.00	4.25	3.50	3.50	1.25	5.25	5.50	1/2	3/4	3/8	1/2	
254	122097	17.5	B	17.75	15.13	2.00	0.19	10.75	5.00	4.13	4.00	1.44	6.25	6.63	5/8	15/16	1/2	5/8	
256	122098	18.5	B	17.75	16.88	2.00	0.19	12.50	5.00	5.00	4.00	1.44	6.25	7.50	5/8	15/16	1/2	5/8	
284	122099	21.0	B	19.75	16.88	2.00	0.19	12.50	5.50	4.75	4.50	1.69	7.00	7.50	5/8	15/16	1/2	5/8	
286	122100	22.0	B	19.75	18.38	2.00	0.19	14.00	5.50	5.50	4.50	1.69	7.00	8.25	5/8	15/16	1/2	5/8	
324	122101	31.0	B	22.75	19.25	2.50	0.19	14.00	6.25	5.25	5.25	2.19	8.00	8.25	3/4	1-1/8	5/8	3/4	
326	122102	32.0	B	22.75	20.75	2.50	0.19	15.50	6.25	6.00	5.25	2.19	8.00	9.25	3/4	1-1/8	5/8	3/4	
364	122103	44.0	B	25.50	20.50	2.50	0.25	15.50	7.00	5.63	6.00	2.06	9.00	9.13	3/4	1-1/8	5/8	3/4	
365	122104	45.0	B	25.50	21.50	2.50	0.25	16.50	7.00	6.13	6.00	2.06	9.00	9.63	3/4	1-1/8	5/8	3/4	