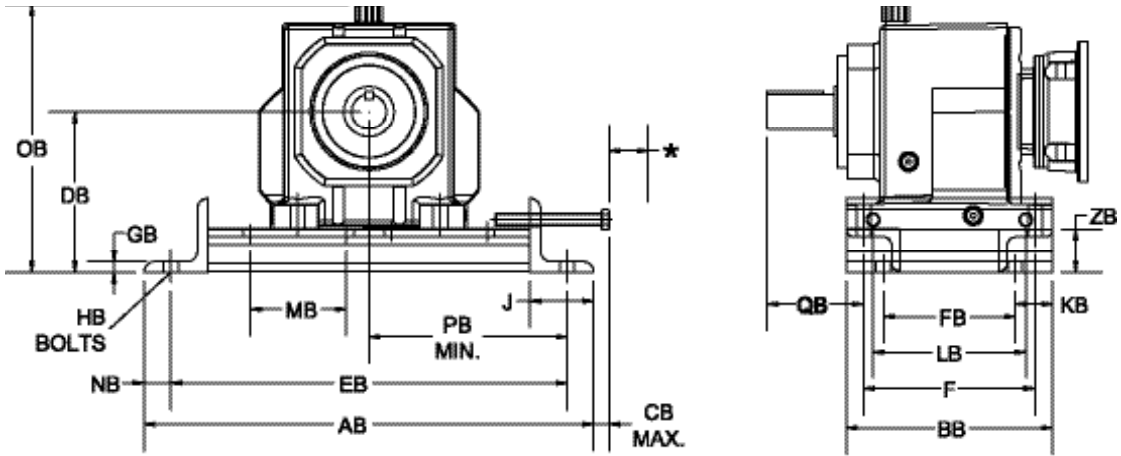


SLIDE BASE



QUANTIS ILH Slide Base



The QUANTIS ILH slide base positions the reducer, providing simplified installation and servicing of belt and chain drives. When a change in reducer position is desired, simply loosen reducer hold down bolts and slide reducer by using the adjusting screw provided. After desired belt or chain tension has been obtained, retighten reducer bolts and units are ready to operate

Unit Size	Module Number	AB	BB	CB	DB	EB	F	FB	GB	HB	J	KB	LB	MB	NB	OB	PB	QB +	ZB	*	Weight (lbs.)
38	091826	14.50	6.31	1.69	4.85	12.75	5.12	4.38	0.38	1/2"	2.50	1.00	5.12	3.00	0.88	8.36	5.67	2.95	1.31	2.94	9
48	091827	18.75	7.88	0.97	6.59	16.00	6.50	5.88	0.50	1/2"	3.00	1.00	6.50	4.00	1.38	10.86	7.38	3.54	2.06	3.66	22
68	091828	21.13	9.69	1.28	7.57	18.63	8.07	6.19	0.50	5/8"	3.00	1.75	7.19	4.50	1.25	12.67	8.35	4.53	2.06	3.85	27
88	091829	23.84	12.25	1.04	9.65	21.34	10.24	8.75	0.50	5/8"	3.00	1.75	9.75	4.50	1.25	15.73	9.67	4.82	2.56	4.09	44
108	091830	27.25	14.38	2.59	11.96	24.50	12.20	10.88	0.75	3/4"	3.50	1.75	11.88	5.00	1.38	18.89	11.11	6.29	3.06	4.54	79
128	091831	35.44	17.25	1.67	13.90	31.44	14.56	13.75	0.75	1"	6.00	1.75	14.75	5.00	2.00	21.50	15.21	7.28	4.06	7.46	134
148	091832	38.25	19.31	3.23	17.46	34.25	16.14	15.81	1.00	1"	6.00	1.75	16.31	6.00	2.00	25.24	16.14	8.66	5.06	7.40	229
168	091833	41.19	23.25	5.83	19.04	36.69	19.69	17.75	1.00	1-1/2"	6.00	2.75	19.25	6.00	2.25	28.54	17.61	10.24	5.03	7.30	266

All dimensions are in inches

♣ Dimension is for standard inch shaft extension

* Minimum distance required to remove adjusting stud

Slide Base kits include (2) adjusting screws and the hardware required to mount the ILH reducer to the base.

Slide Bases are designed to be used with ILH double/triple reduction reducers.

NOMENCLATURE PAGE ILH-4	MOUNTING POSITIONS PAGE ILH-7	STOCK/NON-STOCK PART NUMBERS PAGE ILH-67	WEIGHTS PAGE ILH-343
----------------------------	----------------------------------	---	-------------------------